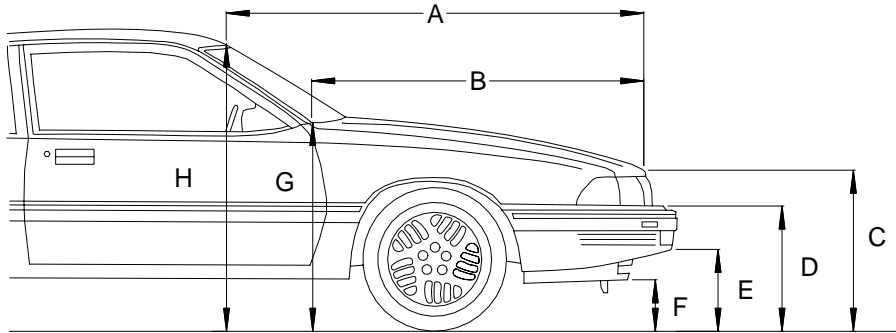


Vehicle Profile Data Form

(Instructions:)

Use this form to record your vehicle's profile data. Use the included graphic as a reference for obtaining vehicle measurements.



Veh #: _____ Veh Yr/Make: _____

VIN: _____

A: _____ B: _____ C: _____ D: _____ E: _____ WB: _____

F: _____ G: _____ H: _____ OL: _____ OW: _____ TW: _____

Comments: _____

Veh #: _____ Veh Yr/Make: _____

VIN: _____

A: _____ B: _____ C: _____ D: _____ E: _____ WB: _____

F: _____ G: _____ H: _____ OL: _____ OW: _____ TW: _____

Comments: _____

Veh #: _____ Veh Yr/Make: _____

VIN: _____

A: _____ B: _____ C: _____ D: _____ E: _____ WB: _____

F: _____ G: _____ H: _____ OL: _____ OW: _____ TW: _____

Comments: _____
